

WALL MOUNTED

STANDARD PLUS

DUAL Inverter



New Standard Plus is a compact size unit with powerful cooling performance and in intelligible and convenient design.

STANDARD PLUS



LG participates in the ECP programme for EUROVENT AC program. Check ongoing validity of certification : www.eurovent-certification.com



Embedded Wi-Fi



Smart Diagnosis



Active Energy Control



Energy Display



Auto Cleaning



Jet Cool



4 Way Swing



Fast Heating



Gold Fin™



Comfort Air



Low Noise 19dB (9k, 12k)



Silence Mode



Quick & Easy Installation

• Single Combination

UNIT			9K	12K	18K	24K	
INDOOR			PC09SQ.NSJ	PC12SQ.NSJ	PC18SQ.NSK	PC24SQ.NSK	
Capacity	Cooling	Min / Rated / Max	W	890 / 2500 / 3700	890 / 3500 / 4040	900 / 5000 / 5500	900 / 6600 / 7420
	Heating +7°C	Min / Rated / Max	W	890 / 3300 / 4100	890 / 4000 / 5100	900 / 5800 / 6400	900 / 7500 / 8640
	Heating -7°C	Rated	W	2600	3000	4200	4850
Power Input	Cooling	Rated	W	656	1080	1562	2164
	Heating +7°C	Rated	W	800	1050	1611	2238
EER			W/W	3.81	3.24	3.20	3.05
S.E.E.R.				7.0	6.6	7.0	6.9
P design C			kW	2.5	3.5	5.0	6.6
COP			W/W	4.13	3.81	3.60	3.35
S.C.O.P.				4.0	4.0	4.3	4.2
P design H			kW	2.5	2.5	3.9	5.0
Energy Label	Cooling (A++ to E Scale)			A++	A++	A++	A++
	Heating (A++ to E Scale)			A+	A+	A+	A+
Annual Energy Consumption	Cooling		kWh	125	186	250	335
	Heating		kWh	875	875	1270	1628
Sound Pressure	Cooling	S / L / M / H	dBA	19 / 27 / 35 / 41	19 / 27 / 35 / 41	31 / 34 / 39 / 44	31 / 34 / 42 / 47
	Heating	L / M / H	dBA	27 / 35 / 41	27 / 35 / 41	34 / 39 / 44	34 / 42 / 47
Sound Power	Cooling	High	dBA	59	59	60	65
	Heating	S / L / M / H	m³/min	3.0 / 4.2 / 7.5 / 10.0	3.0 / 4.2 / 7.5 / 10.0	8.0 / 10.5 / 13.0 / 14.5	8.0 / 10.5 / 13.1 / 16.1
Air Flow Rate	Max (Power)		m³/min	12.5	12.5	15.5	20.0
	Heating	L / M / H	m³/min	5.6 / 7.2 / 10.0	5.6 / 7.2 / 10.0	11.0 / 13.5 / 16.0	10.5 / 13.1 / 16.1
Dehumidification Rate			l/h	1.1	1.3	1.8	2.5
	Cooling	Rated	A	3.3	4.7	6.9	9.8
Running Current		Max	A	6.0	6.0	9.0	14.0
	Heating	Rated	A	4.0	4.7	7.1	10.4
		Max	A	7.0	7.0	9.5	14.0
Starting Current	Cooling / Heating	Rated	A	3.3 4.0	4.7 4.7	6.9 7.1	9.8 / 10.4
Power Supply			Ø/V/Hz	1 / 220-240 / 50	1 / 220-240 / 50	1 / 220-240 / 50	1 / 220-240 / 50
Circuit Breaker			A	15	15	20	25
Power Supply Cable			N x mm²	3 x 1.0	3 x 1.0	3 x 1.5	3 x 2.5
Power & Transmission Cable			N x mm²	4 x 1.0	4 x 1.0	4 x 1.0	4 x 1.0
				(Including Earth)	(Including Earth)	(Including Earth)	(Including Earth)
Dimension			mm	837 x 308 x 189	837 x 308 x 189	998 x 345 x 210	998 x 345 x 210
Net Weight			kg	8.7	8.7	11.9	11.9
Fan Motor Output			W	30	30	30	60
OUTDOOR			PC09SQ.UA3	PC12SQ.UA3	PC18SQ.U22	PC24SQ.U24	
Operation Range	Cooling	Min / Max	°CDB	-10 / 48	-10 / 48	-15 / 48	-15 / 48
	Heating	Min / Max	°CDB	-10 / 24	-10 / 24	-10 / 24	-10 / 24
Sound Pressure	Cooling	High	dBA	48	48	53	53
	Heating	High	dBA	50	50	55	54
Sound Power	Cooling	High	dBA	65	65	65	70
	Heating	High	dBA	27	27	35	50
Air Flow Rate	Length (Odu/Idu)	Min / Max	m	3 15	3 15	3 20	3 / 30
	Elevation (Odu/Idu)	Max	m	7	7	10	15
Piping Connection	Liquid	OD(Outside)	mm (inch)	6.35 (1/4)	6.35 (1/4)	6.35 (1/4)	6.35 (1/4)
	Gas	OD(Outside)	mm (inch)	9.52 (3/8)	9.52 (3/8)	12.7 (1/2)	15.88 (5/8)
	Drain	OD(Outside)	mm (inch)	21.5 (0.85)	21.5 (0.85)	21.5 (0.85)	21.5 (0.85)
Refrigerant	Type			R32	R32	R32	R32
	Charge at 7.5m		g	700	700	1000	1100
	Additional charge		t-CO ₂ eq	0.47	0.47	0.68	0.74
	GWP		g/m	20	20	20	20
	Fan Motor Output		W	675	675	675	675
Compressor Type				43	43	43	85
Net Weight			kg	25.1	25.1	34.4	46.0
Dimension			mm	717 x 483 x 230	717 x 483 x 230	770 x 545 x 288	870 x 650 x 330

* This product contains Fluorinated greenhouse gases (R32).

** S : Sleep / L : Low / M : Medium / H : High

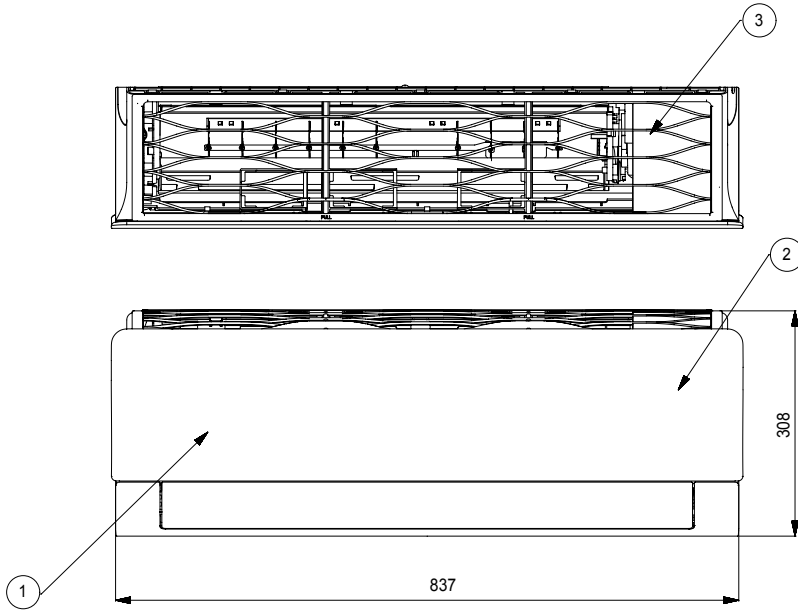
*** Specification, design and feature are subject to change without prior notice.

WALL MOUNTED DIMENSIONS

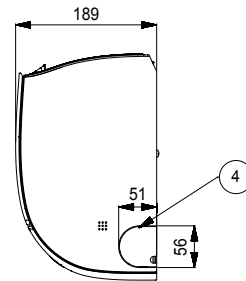
INDOOR UNIT

PC09SQ.NSJ / PC12SQ.NSJ

(Unit : mm)

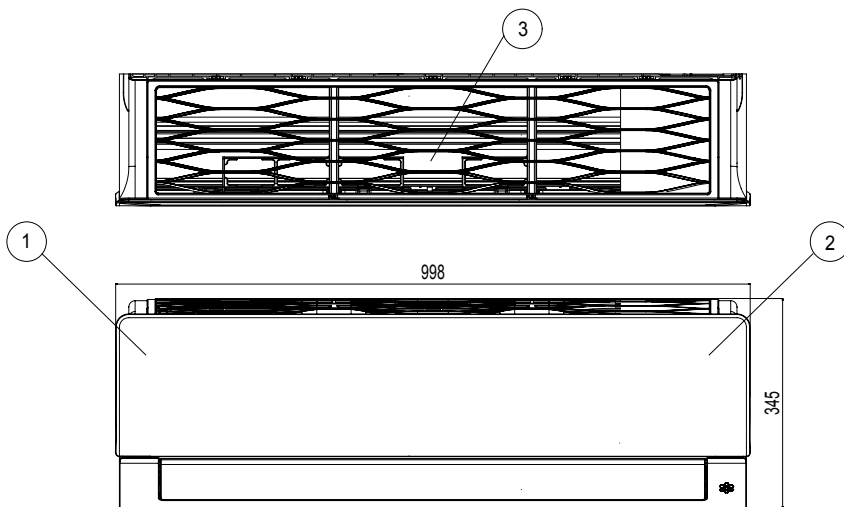


Item No.	Part Name	Remark
1	Front Panel	
2	Display & Signal Receiver	Hidden
3	Air Filter	
4	Knockout hole	For pipe and cable

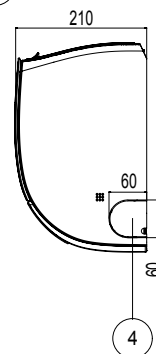


PC18SQ.NSK / PC24SQ.NSK

(Unit : mm)



Item No.	Part Name	Remark
1	Front Panel	
2	Display & Signal Receiver	Hidden
3	Air Filter	
4	Knockout hole	For pipe and cable



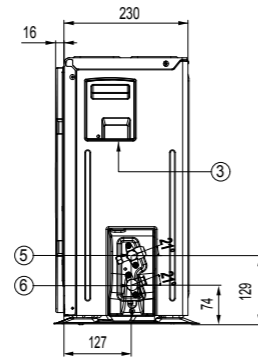
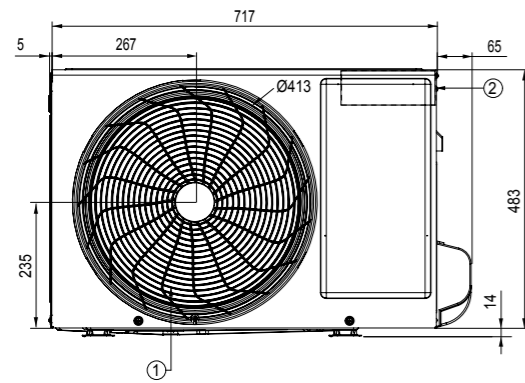
OUTDOOR UNIT

PC09SQ.UA3 / PC12SQ.UA3

(Unit: mm)

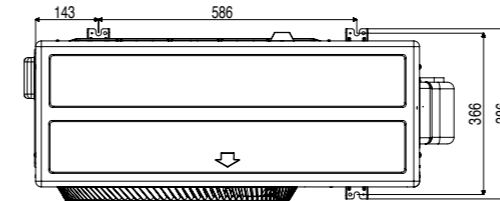


Item No.	Part Name
1	Air Outlet
2	Control Box
3	Power and Communication Cable Hole
4	Service Valve Cover
5	Gas Pipe Connection
6	Liquid Pipe Connection

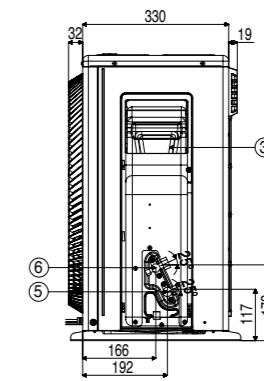
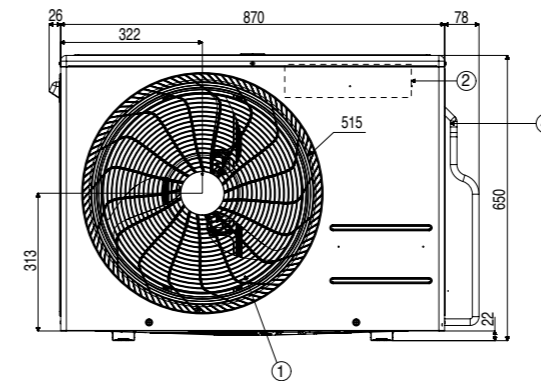


PC24SQ.UL2

(Unit: mm)

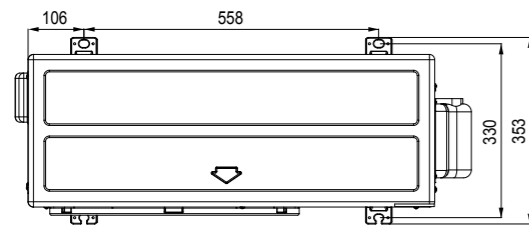


Item No.	Part Name
1	Air Outlet
2	Control Box
3	Power and Communication Cable Hole
4	Service Valve Cover
5	Gas Pipe Connection
6	Liquid Pipe Connection



PC18SQ.UL2

(Unit: mm)



Item No.	Part Name
1	Air Outlet
2	Control Box
3	Power and Communication Cable Hole
4	Service Valve Cover
5	Gas Pipe Connection
6	Liquid Pipe Connection

