

EPE mass flow ductwork



Insulated ductwork bends (125/150/160/180 mm)

1 | 4

Features & benefits

- very well insulated and sound absorbing duct
- low pressure loss due to the very smooth inner surface
- light material, easy to cut, elastic and pliable, impact resistant (i. e. no dents)
- doesn't rust
- comes in duct lengths of 2.00 m
- insulated plastic roof terminals: light weight, strong and weather resistant
- mechanical connections (i. e. no tape required)
- easy to dismantle, which makes maintenance very easy
- compact, hardly visible coupling pieces

Specifications

Material	EPE
Density	30 kg/m ³
Heat transfer coefficient	0.041 W/m.K (EN 12667)
Thermal resistance	R = 0.39 m ² K/W
Temperature range	Min. -30 °C Max. +60 °C
Wall thickness	16 mm
Fire class	B1 (DIN 4102)
Function	Transport of air for ventilation and/or heating and/or cooling
Airtightness	C (EN 12237:2003)
Colour	Grey
Material couplers and brackets	PP
Material Y-piece	EPP



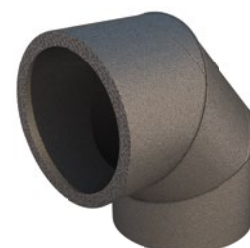
Bend 15°



Bend 30°



Bend 45°



Bend 90°

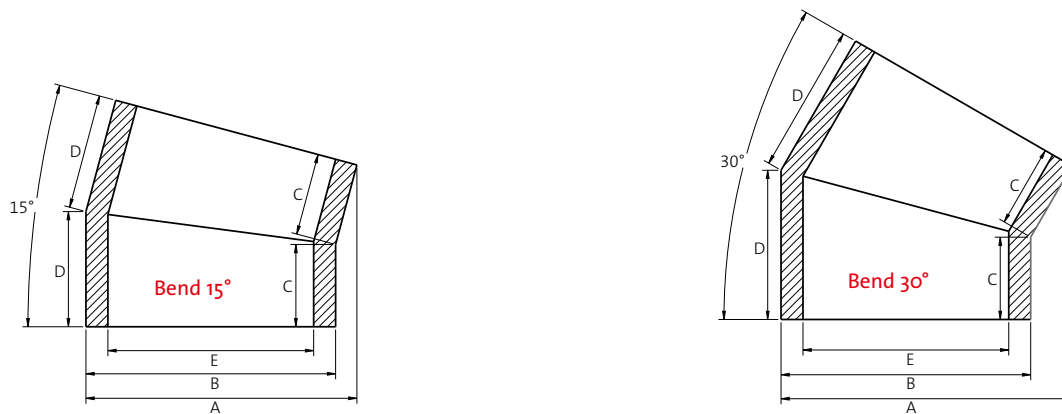
EPE mass flow ductwork



Insulated ductwork bends (125/150/160/180 mm)

2 | 4

Technical details



Bend 15°				
	125	150	160	180
A [mm]	-	198	-	229
B [mm]	-	182	-	212
C [mm]	-	60	-	65
D [mm]	-	84	-	93
E [mm]	-	150	-	180
Zeta	-	0,20	-	0,17
Qv (Volume) [m³/h]	ΔP (Pressure loss) [Pa]			
100	-	1,0	-	1,0
200	-	1,2	-	1,0
300	-	2,7	-	1,1
400	-	4,7	-	1,9
500	-	7,4	-	3,0

Bend 30°				
	125	150	160	180
A [mm]	-	212	-	245
B [mm]	-	182	-	212
C [mm]	-	60	-	69
D [mm]	-	109	-	122
E [mm]	-	150	-	180
Zeta	-	0,33	-	0,22
Qv (Volume) [m³/h]	ΔP (Pressure loss) [Pa]			
100	-	1,0	-	1,0
200	-	2,0	-	1,0
300	-	4,4	-	1,4
400	-	7,9	-	2,5
500	-	12,3	-	3,9

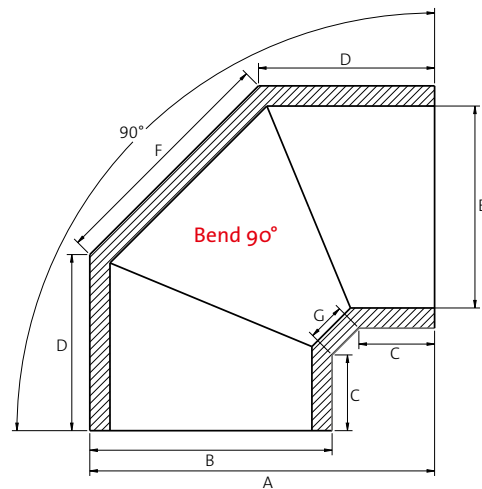
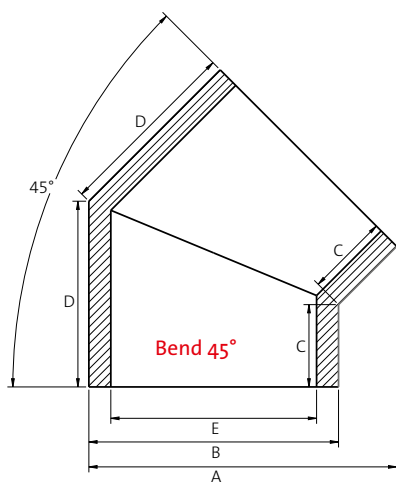
EPE mass flow ductwork



Insulated ductwork bends (125/150/160/180 mm)

3 | 4

Technical details



Bend 45°				
	125	150	160	180
A [mm]	199	224	235	258
B [mm]	157	182	192	212
C [mm]	60	60	60	65
D [mm]	125	135	137	153
E [mm]	125	150	160	180
Zeta	0,53	0,49	0,46	0,40
Qv (Volume) [m³/h]	ΔP (Pressure loss) [Pa]			
100	1,6	1,0	1,0	1,0
200	6,5	2,9	2,1	1,1
300	14,7	6,5	4,7	2,6
400	26,1	11,6	8,5	4,6
500	40,7	18,2	13,3	7,1

Bend 90°				
	125	150	160	180
A [mm]	238	263	274	298
B [mm]	157	182	192	212
C [mm]	60	60	60	65
D [mm]	125	135	140	153
E [mm]	125	150	160	180
F [mm]	159	181	189	206
G [mm]	30	30	30	30
Zeta	0,88	0,85	0,85	0,84
Qv (Volume) [m³/h]	ΔP (Pressure loss) [Pa]			
100	2,7	1,3	1,0	1,0
200	10,8	5,0	3,9	2,4
300	24,3	11,3	8,8	5,4
400	43,3	20,2	15,6	9,6
500	67,6	31,5	24,3	15,0

© 2017-Ubbink Centrotherm Group | Content is subject to change without notice | Availability and configurations may differ per country | UB-2017-03-V01-NF-EN

EPE mass flow ductwork



Insulated ductwork bends (125/150/160/180 mm)

4 | 4

Coupling piece & Mounting bracket

Coupling piece	125	150	160	180
A [mm]	100	100	100	120
B [mm]	45	45	45	45
C [mm]	48	48	48	48
D [mm]	15	15	15	15
E [mm]	125	150	160	180

Mounting bracket	125	150	160	180
A [mm]	45	45	45	45
B [mm]	50	50	50	50
C [mm]	30	30 <td 30	30	
D [mm]	25	25	25	25
E [mm]	M8	M8	M8	M8
F [mm]	Ø 4,5	Ø 4,5	Ø 4,5	Ø 4,5



Coupling piece



Mounting bracket

