



Technical Sheet

Flair Silencer 60/160

English



Air for Life

Product

The Flair Silencer is a silencer based on an innovative sound reducing principle without the use of mineral wool. Thanks to this principle the Flair Silencer has a high attenuation value and a low sound emission.

In addition, with its sleek design and a length of only 65 cm, the silencer is very compact. The silencer preserves the specifications to the full lifetime of the silencer.

Sound reduction

Flair Silencer 60/160								
Frequency [Hz]	63	125	250	500	1K	2K	4K	8K
Insertion loss [dB]*	14.8	2.6	7.5	15.5	20.9	26.3	17.1	9.8
Transmission loss [dB]*	21.7	20.0	25.6	23.8	28.1	36.2	40.4	42.0
*Measurements conform ISO7235:2003. The value may deviate in practise, by 1 dB (A), due to measurement tolerances.								

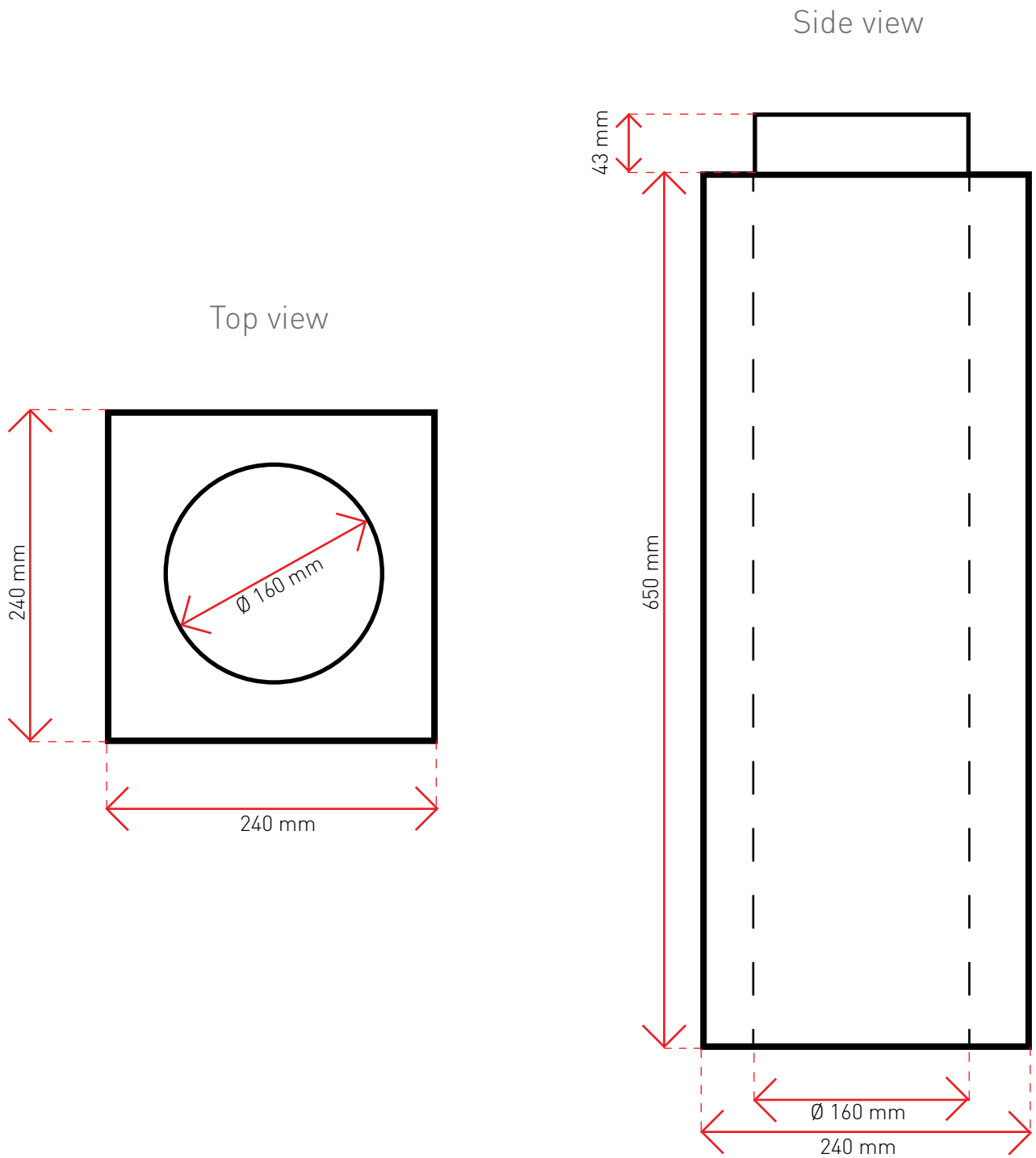
Technical information

Flair Silencer 60/160	
Colour	RAL 9016 white
Dimensions (H x D x W) [mm]	650 x 240 x 240
Duct diameter [mm]	Ø 160 / Ø 180
Weight [kg]	5.6
Article number	648590

Recommended applications of the Flair Silencer 60/160

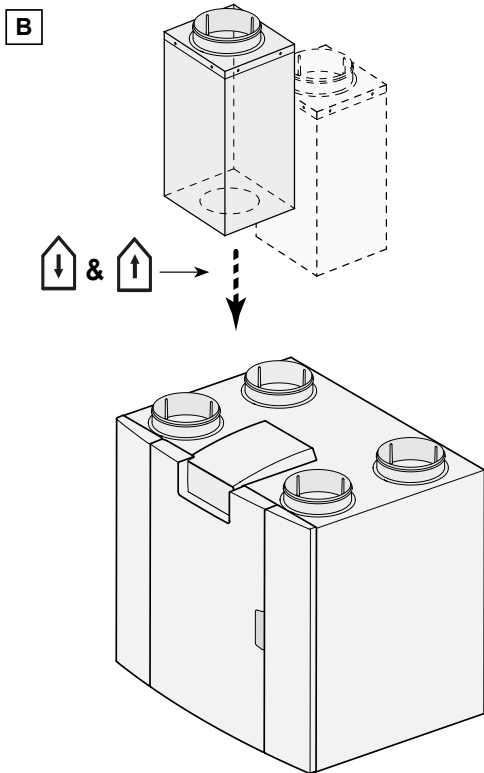
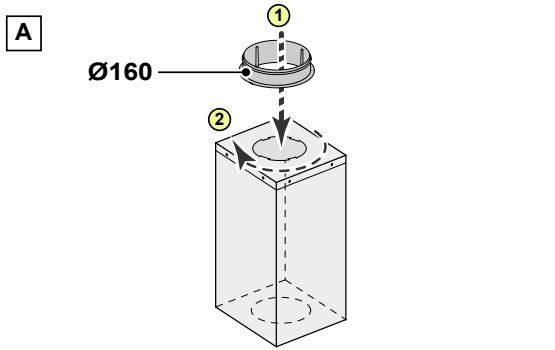
- For reduction of the sound level in the technical room due to a high transmission loss.
- In combination with a flexible silencer usable to the maximum unit flow capacity of the Flair unit.

Dimensional drawing



Instructions

TYPE FLAIR 325

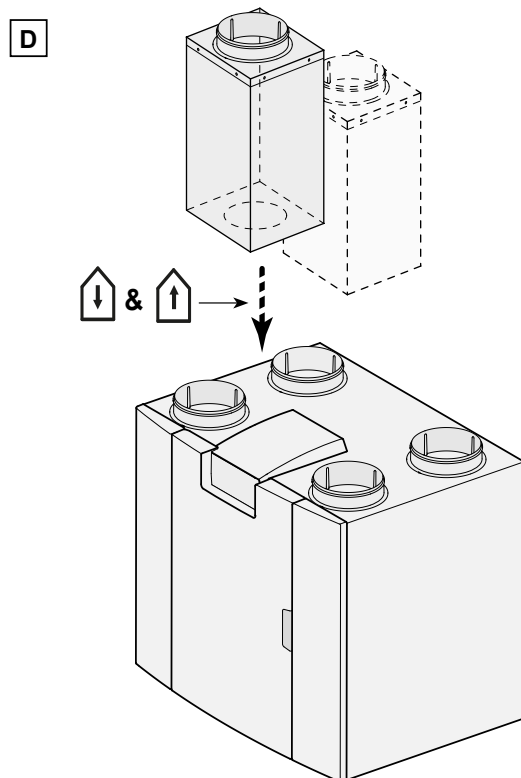
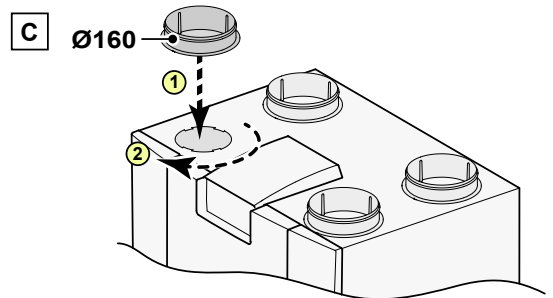
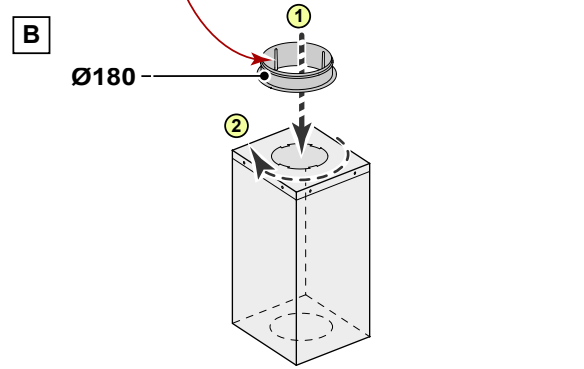
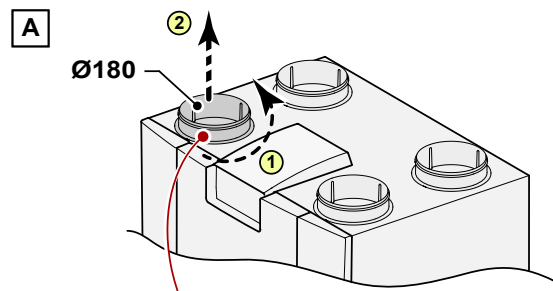


= To dwelling

= From dwelling

*All diameters are in mm

TYPE FLAIR 400



615959-A